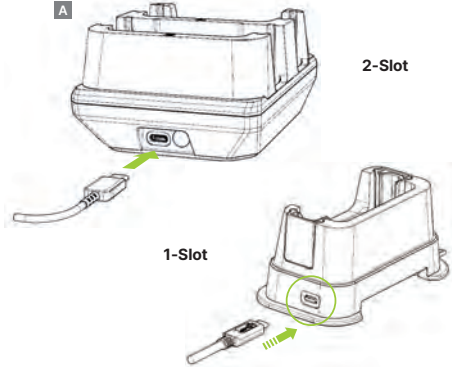


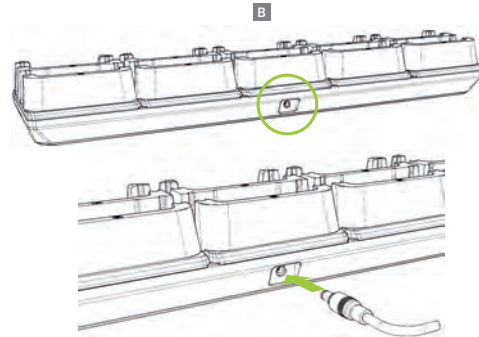
## 1/2-Slot Charging via USB-C

Charge the device(s) using a Samsung 25W PD Charger. Plug the USB-C cable into the side of the charging cradle for 1-slot cradles or the back for 2-slot cradles.(A)



## 10-Slot Charging via DC Connector

Use the 12V/10A DC power adaptor to charge multiple devices.(B)



Visit our website for more information



100 Village Blvd Ste 300 Princeton, NJ 08540  
+1 609-256-4700 p | +1 609-228-4373 f  
info@koamtac.com | www.koamtac.com



## KOAMTAC 1SCC/2SCC/10SCC Base Charging Cradle Mini Guide



\* All pictures shown are for illustration purpose only.  
Actual product may vary.

## Available Device Spacers



**XC6P-BASIC Spacer**  
For XCover6 Pro



**XC6P-SC Spacer**  
For XCover6 Pro  
with Smartcase



**XC6P-SC-EXTBAT Spacer**  
For XCover6 Pro  
with Smartcase + Smartcase  
Extended Battery Pack



**SKX6P-BOOT Spacer**  
For SKX6Pro  
with Protective Boot



**SKX6P-INSERT Spacer**  
For SKX6Pro  
without Protective Boot



**SKX6P-PISTOL-NB Spacer**  
For SKX6Pro Pistol Grip  
without Protective Boot



**SKX6P-PISTOL-BOOT Spacer**  
For XCover6 Pro Pistol Grip  
with Protective Boot



**XC7-BASIC Spacer**  
For XCover7



**KDC1000-SXC7 Spacer**  
For KDC1000/1100  
XCover7



**XC7-PISTOL Spacer**  
For KDC1000/1100  
XCover7 Pistol Grip



**iPhone 15(P) Spacer**  
For KDC1000/1100  
iPhone 15/15 Pro

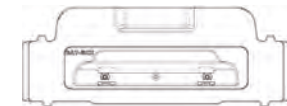


**iPhone-PISTOL Spacer**  
For KDC1000/1100  
iPhone Pistol Grip

## Available Battery Spacers



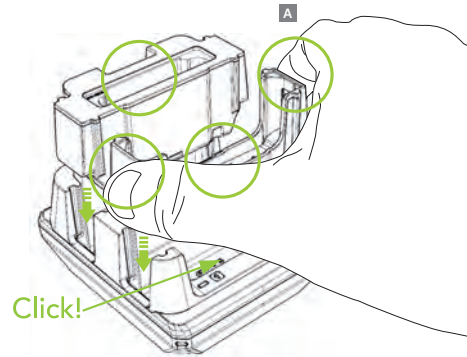
**BAT-XC6P Spacer**  
For XCover6 Pro  
Genuine Spare Battery



**BAT-SKX Spacer**  
For SKX6Pro  
2000mAh Extended Battery

## Installing Spacers

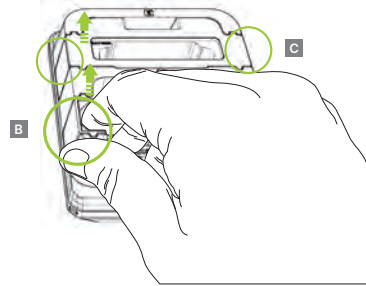
1. Grip the spacer on the outsides and press down into the cradle. Or, press the top of the spacer until you hear a click. (A)



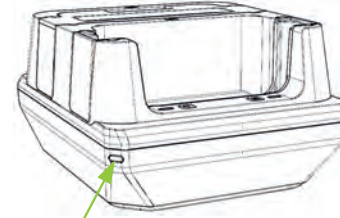
## Removing Spacers

**Device Spacers:** Put your finger inside and against the side of the spacer, then lift the spacer out of the cradle. (B)

**Battery Spacers:** Remove the spacer by gripping the spacer on the outsides and lifting it up. (C)

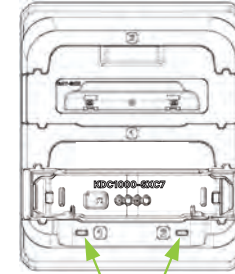


## Cradle Power Status LED



Green : Always on when the cradle is powered on

## Charging Status LED



Green : Blinks 3 times then stays lit while the cradle is powered on.

Green : Fully charged

Orange : Charging

Blinking Red : Charging Issue