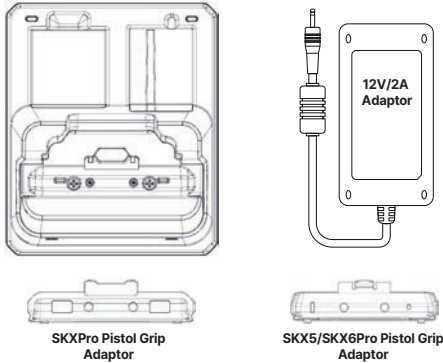


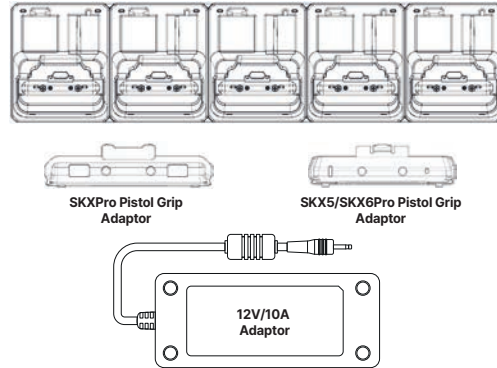
## What's in the Box? 1-Slot Cradle

- 1 x Pistol Grip & 1.0W UHF Reader 1-Slot Charging Cradle
- 1 x Pistol Grip Adaptor (if applicable)
- 1 x 12V/2A DC Power Adaptor



## What's in the Box? 5-Slot Cradle

- 1 x Pistol Grip & 1.0W UHF Reader 5-Slot Charging Cradle
- 5 x Pistol Grip Adaptor (if applicable)
- 1 x 12V/10A DC Power Adaptor



## Pistol Grip & 1.0W UHF Reader Charging Cradle for SmartSled Mini Guide

Visit our [website](http://www.koamtac.com) for more information



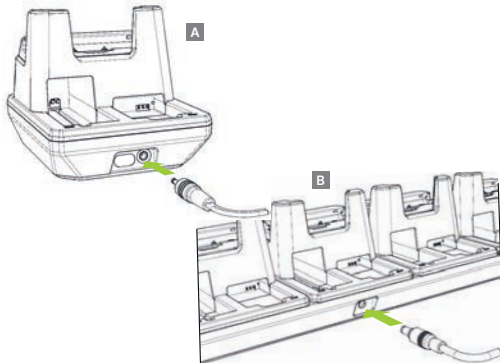
100 Village Blvd Ste 300 Princeton, NJ 08540  
+1 609-256-4700 p  
info@koamtac.com | www.koamtac.com



\* All pictures shown are for illustration purpose only.  
For KDC480/485/1000/1100; SKX6Pro, SKX5, and SKXPro. Actual product may vary.

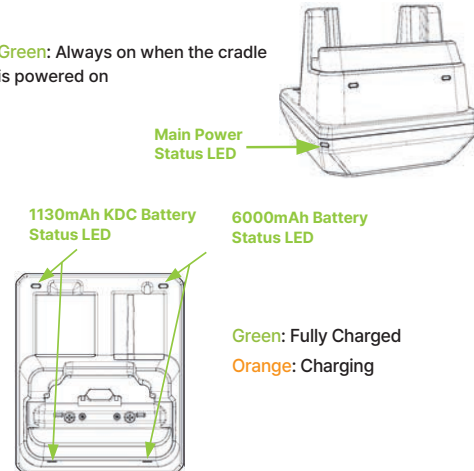
## Charging Via DC Connector

Connect the power adaptor to the DC jack on the back of the 1-Slot (A) or 5-Slot (B) Charging Cradle. Place the SKX or KDC SmartSled with Pistol Grip or 1W UHF Reader in the cradle to begin charging.



## Cradle Power & Battery LED Status

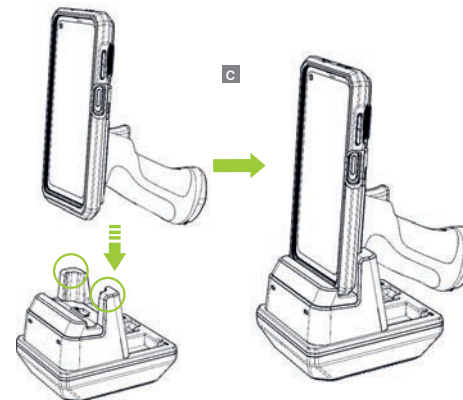
**Green:** Always on when the cradle is powered on



**Green:** Fully Charged  
**Orange:** Charging

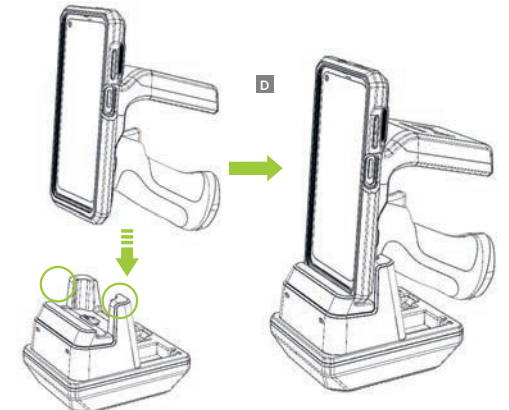
## How to Charge the SKX Pistol Grip

Mount the SKX SmartSled with Pistol Grip according to the guides on the top of the cradle. (C)



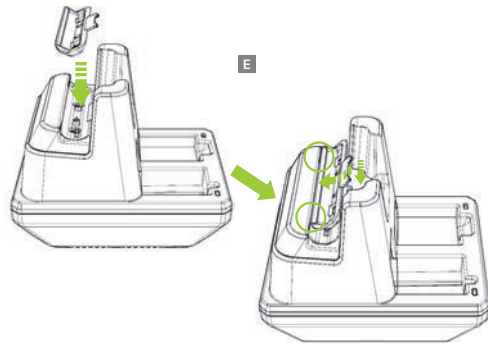
## How to Charge the SKX 1.0W UHF Reader

Mount the SKX SmartSled with 1.0W UHF Pistol Grip according to the guides on the top of the cradle. (D)

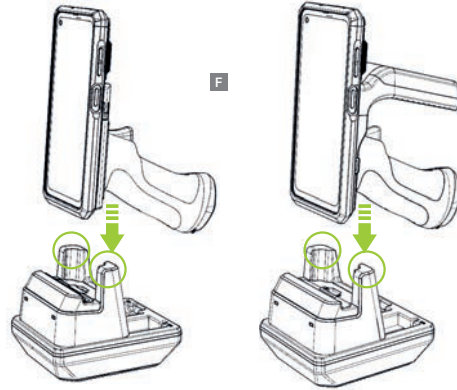


## How to Charge Without a Protective Boot

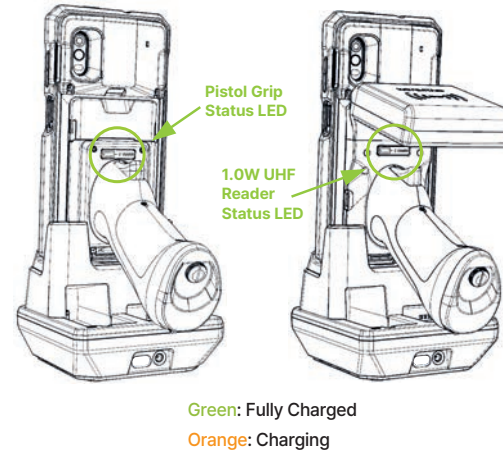
Attach the appropriate Pistol Grip Adaptor to the cradle as shown in the image below. (E)



Mount the Pistol Grip or 1.0W UHF Reader according to the guides on the top of the cradle. (F)

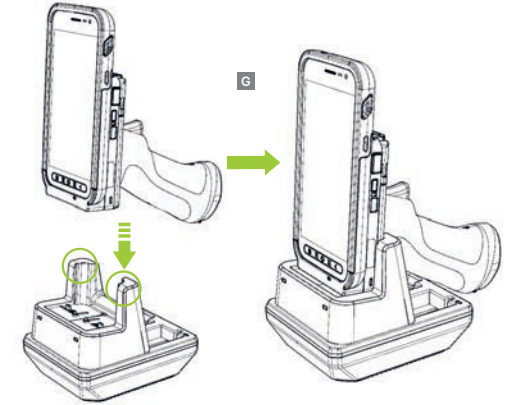


## SKX SmartSled LED Status



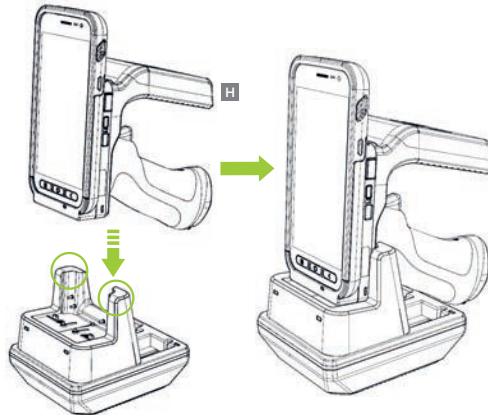
## How to Charge the KDC Pistol Grip

Mount the KDC480/485 Pistol Grip according to the guides on the top of the cradle. (G)

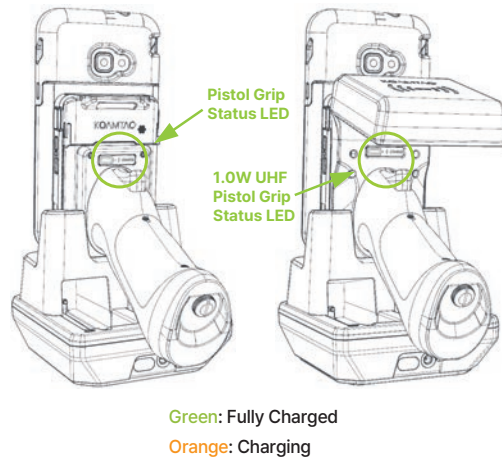


## How to Charge the KDC 1.0W UHF Reader

Mount the KDC480/485 1.0W UHF Reader according to the guides on the top of the cradle. (H)

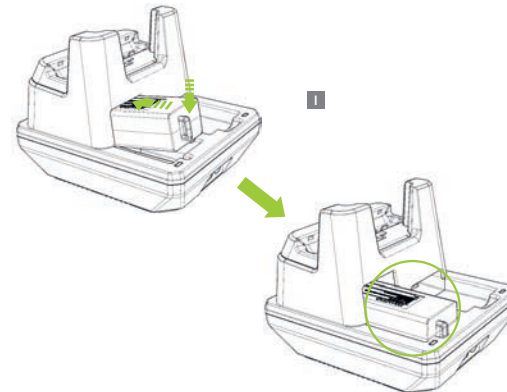


## KDC SmartSled LED Status



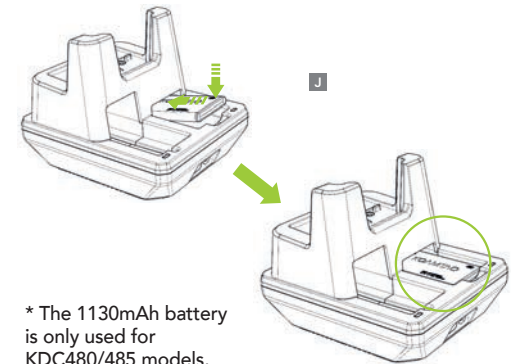
## 6000mAh Battery Charging

Tilt the battery as shown in the figure below and insert the battery into the battery slot. (I)



## 1130mAh KDC Battery Charging

Tilt the battery as shown in the figure below and insert the battery into the battery slot. (J)



\* The 1130mAh battery is only used for KDC480/485 models.