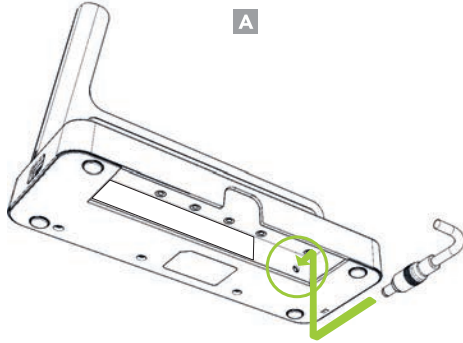


Charging via DC Connector

The 12V/4A DC power adaptor supports 9V fast charging when the Galaxy Tab Active3 is mounted on the charging cradle. Connect the DC power adaptor to the DC jack located on the bottom of the charging cradle. (A)



Additional Accessories

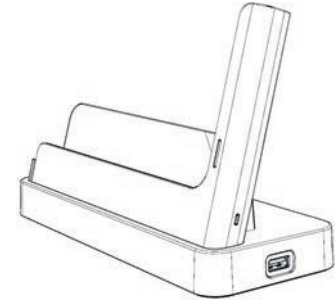
- ▶ Tab Active3 1-Slot Fast Charging Cradle
- ▶ Tab Active3 SmartSled Case
- ▶ Tab Active3 1-Slot DeX Station
- ▶ Tab Active3 2/4-Slot Normal Charging Cradle
- ▶ Tab Active3 5-Slot Fast Charging Cradle
- ▶ Tab Active3 5-Slot Battery Charging Cradle

KOAMTAC

116 Village Blvd, Ste 305, Princeton, NJ 08540
+1 609-256-4700 [p](mailto:info@koamtac.com) | +1 609-228-4373 [f](http://www.koamtac.com)
info@koamtac.com | www.koamtac.com

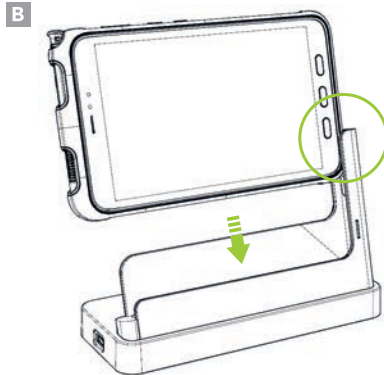
KOAMTAC

Galaxy Tab Active3 1-Slot Charging Cradle Mini Guide



Charging the Galaxy Tab Active3

Slide the Galaxy Tab Active3 downward along the guide and into the charging slot. (B)

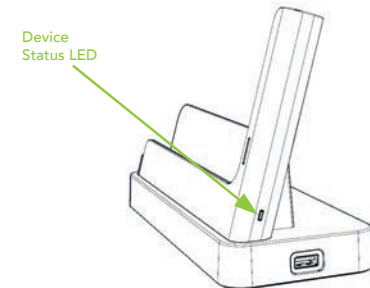


The device status LED will turn orange, signalling that the Galaxy Tab Active3 is now charging. (C)



* The cradle is equipped with a USB port on each side. Each USB port can provide up to 1.5 amps of power.

Charging LED Status



Blinking Green : When the cradle is powered on

Orange : Charging
/Fully charged

Blinking Red: Charging Issue
- Overheating
- Charging fault
- Foreign material inside