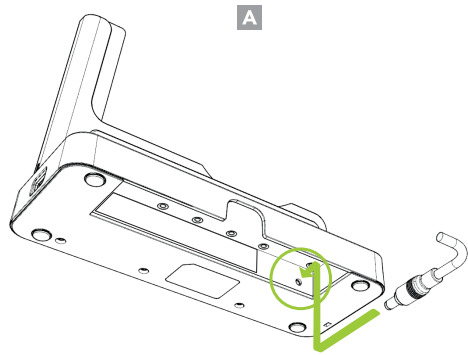


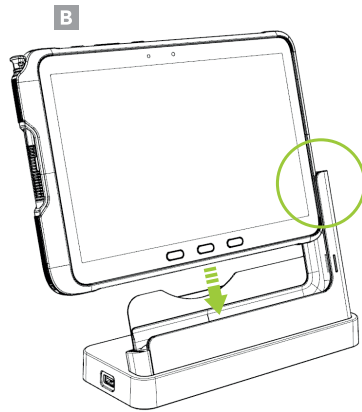
Charging via DC Connector - 1-Slot

The 12V/4A DC power adaptor supports 9V fast charging when the Galaxy Tab Active4 Pro is mounted on the charging cradle. Connect the DC power adapter to the DC jack located on the bottom of the charging cradle. (A)



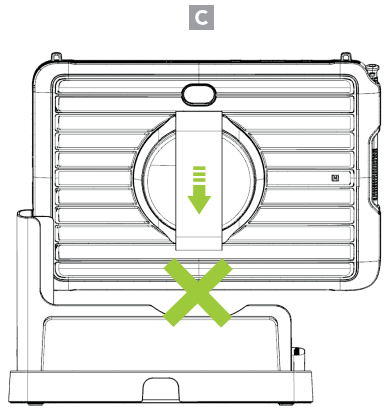
Charging the Galaxy Tab Active4 Pro

Slide the Galaxy Tab Active4 Pro downward along the guide and into the charging slot. (B)

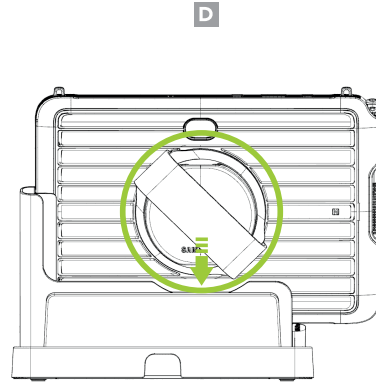


Hand Strap Direction

Do not hold the hand strap vertically. The device mounting may not be stable. (C)



The device can be stably mounted with the hand strap oriented in any direction, except vertically. (D)



Additional Accessories

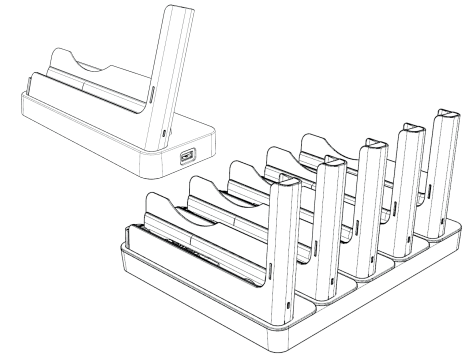
- ▶ Tab Active4 Pro 2-Slot Normal Charging Cradle
- ▶ Tab Active4 Pro 4-Slot Normal Charging Cradle



116 Village Blvd, Ste 305, Princeton, NJ 08540
 +1 609-256-4700 p | +1 609-228-4373 f
 info@koamtac.com | www.koamtac.com

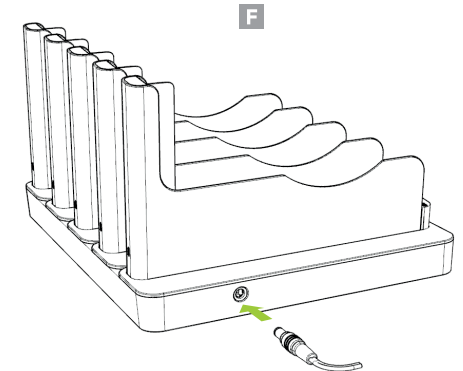


Galaxy Tab Active4 Pro Charging Cradle Mini Guide



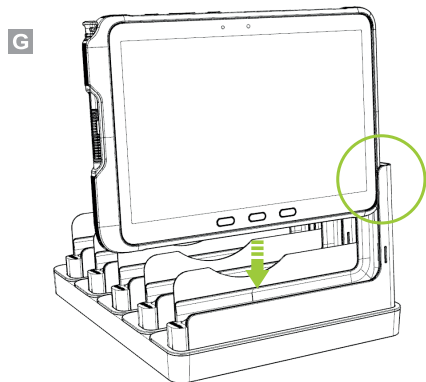
Charging via DC Connector - 5-Slot

The 12V/10A DC power adaptor supports 9V fast charging when the Galaxy Tab Active4 Pro is mounted on the charging cradle. (F)

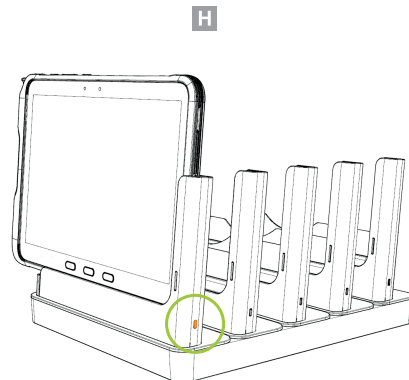


Charging the Galaxy Tab Active4 Pro

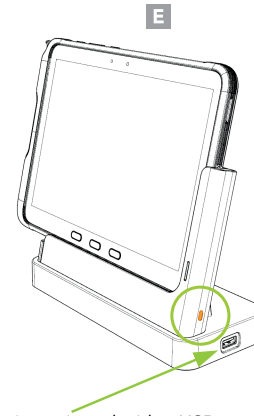
Slide the Galaxy Tab Active4 Pro downward along the guide and into the charging slot. (G)



The device status LED will turn orange, signalling that the Galaxy Tab Active4 Pro is now charging. (H)

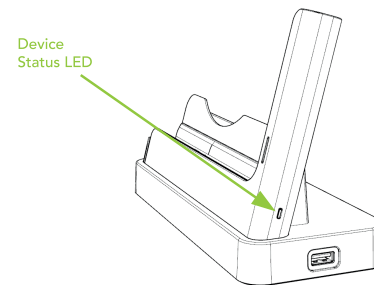


The device status LED will turn orange, signalling that the Galaxy Tab Active4 Pro is now charging. (E)



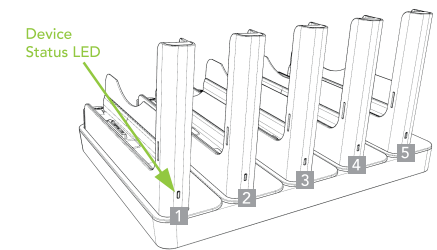
* The cradle is equipped with a USB port on each side. Each USB port can provide up to 1.5 amps of power.

Charging LED Status - 1-Slot



- Blinking Green :** When the cradle is powered on
- | | |
|---|-------------------------------------|
| Orange : Charging /Fully charged | Blinking Red: Charging Issue |
| | - Overheating |
| | - Charging fault |
| | - Foreign material inside |

Charging LED Status - 5-Slot



- Blinking Green :** When the cradle is powered on
- | | |
|---|-------------------------------------|
| Orange : Charging /Fully charged | Blinking Red: Charging Issue |
| | - Overheating |
| | - Charging fault |
| | - Foreign material inside |