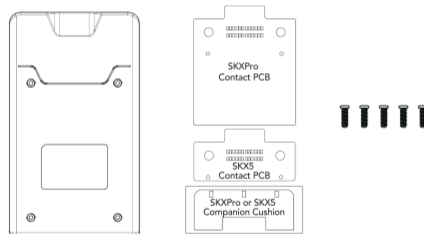


What's in the Box?

- ▶ 1 x SKX UHF0.5W
- ▶ 1 x Contact PCB (SKXPro or SKX5)
- ▶ 1 x Companion Cushion (SKXPro or SKX5)
- ▶ 4 x screws + 1 extra

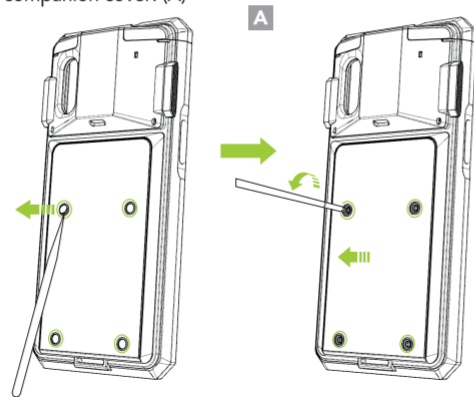


*SKXPro/SKX5 sold separately.

Tweezers and PH0 screw driver (not included) will be necessary to complete assembly.

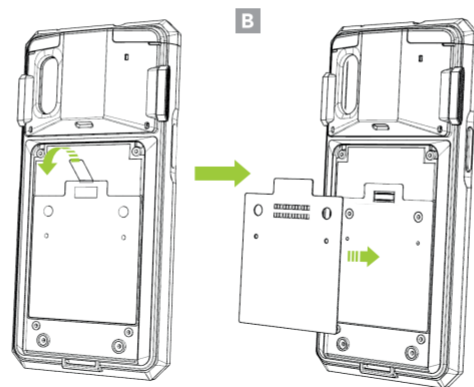
Assembly Instructions

Using tweezers, carefully remove all four (4) screw caps from the back of the SKX™ SmartSled®. Then, remove all (4) screws from the back of the SKX together with the companion cover. (A)



Contact PCB Assembly - SKXPro Only

1. Remove the blue protective tape from the front of the companion PCB. Next, attach the contact board to the back of the SKXPro as shown below. (B)



Additional Accessories

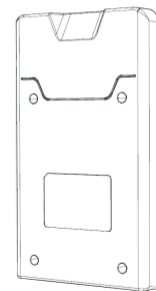
- ▶ 1.0W UHF Reader Companion
- ▶ 2000mAh Extended Battery Companion
- ▶ Pistol Grip Companion (battery optional)
- ▶ SKX Pistol Grip 1-Slot Charging Cradle
- ▶ SKX Pistol Grip 5-Slot Charging Cradle
- ▶ SKX 1-Slot Charging Cradle
- ▶ SKX 5-Slot Charging Cradle
- ▶ XCover 1-Slot Charging Cradle
- ▶ XCover 5-Slot Charging Cradle
- ▶ SKXSLED-mPOS
- ▶ SKXSLED-MSRIC



116 Village Blvd, Ste 305, Princeton, NJ 08540
+1 609-256-4700 p | +1 609-228-4373 f
info@koamtac.com | www.koamtac.com

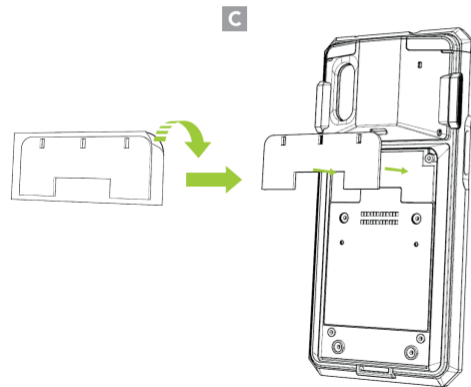


SKX™ SmartSled® 0.5W UHF
Reader Assembly Manual



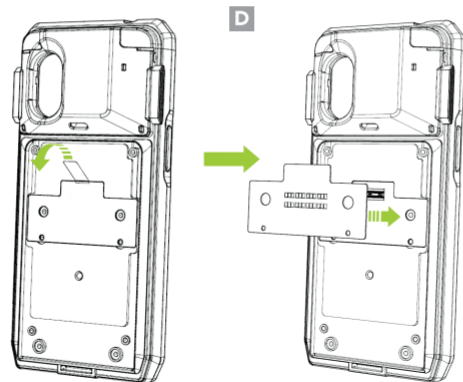
* All pictures shown are for illustration purposes only. Actual product may vary.

2. Remove the transparent protective tape from the back of the companion cushion and attach it to the back of the SKXPro as shown below. (C)

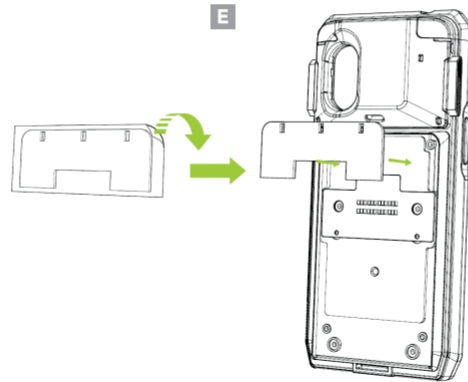


Contact PCB Assembly - SKX5 Only

1. Remove the blue protective tape from the front of the companion PCB. Next, attach the contact board to the back of the SKX5 as shown in the image. (D)

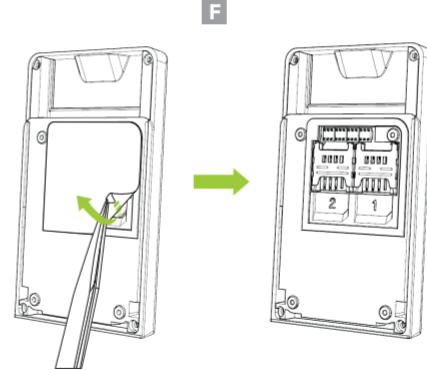


2. Remove the transparent protective film from the back of the companion cushion and attach it to the back of the SKX5 as shown below. (E)



SKX 0.5W UHF Reader Assembly

1. Remove the blue protective film from the SKX 0.5W UHF Reader as shown below. (F)



2. Align the screw holes of the SKX 0.5W UHF Reader with the screw holes of the SKX SmartSled. Use the four (4) included screws to attach the UHF reader to the SKX SmartSled. (G)

